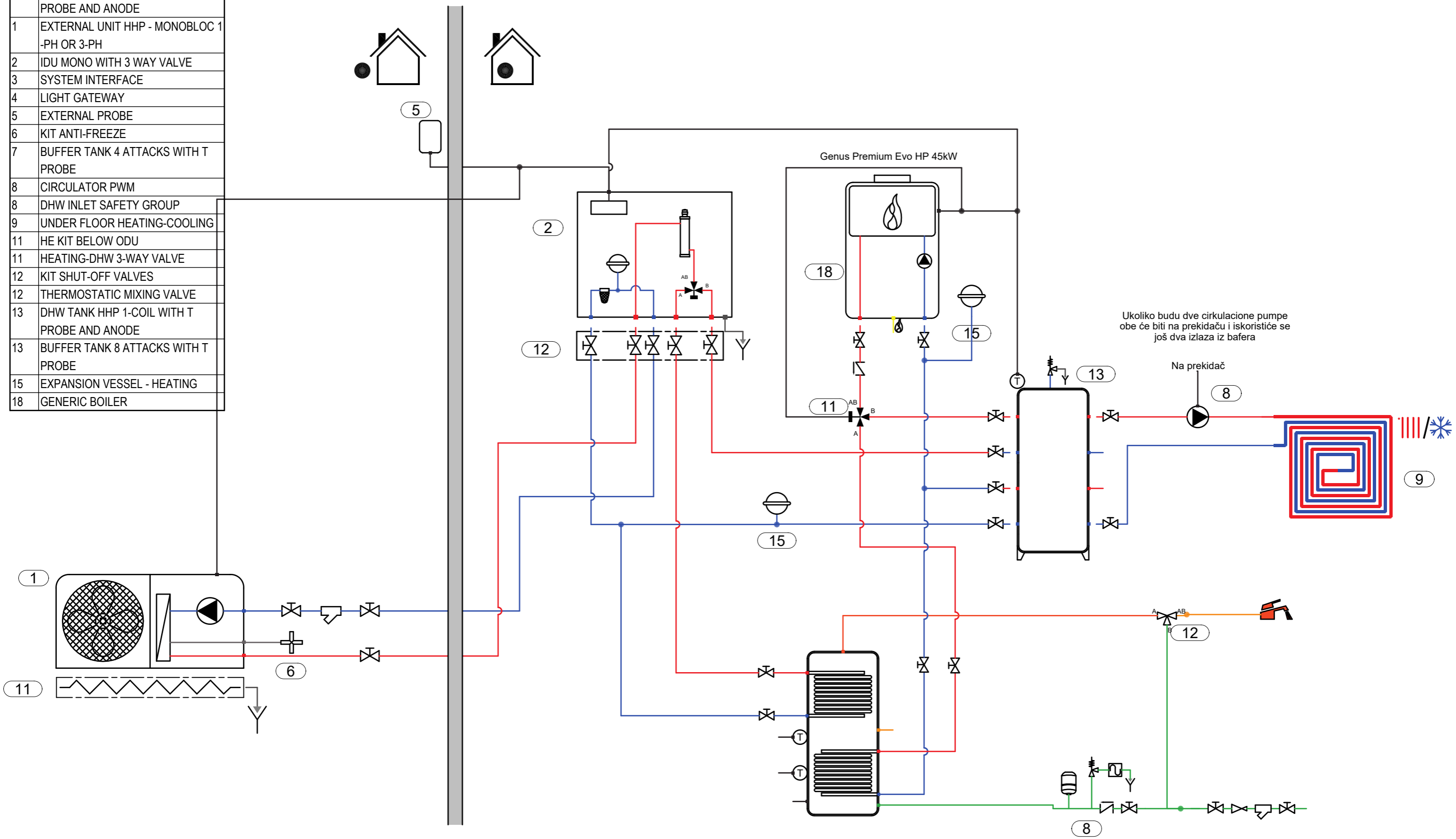


Pos.	Description
	DHW TANK HHP 2-COIL WITH T PROBE AND ANODE
1	EXTERNAL UNIT HHP - MONOBLOC 1 -PH OR 3-PH
2	IDU MONO WITH 3 WAY VALVE
3	SYSTEM INTERFACE
4	LIGHT GATEWAY
5	EXTERNAL PROBE
6	KIT ANTI-FREEZE
7	BUFFER TANK 4 ATTACKS WITH T PROBE
8	CIRCULATOR PWM
8	DHW INLET SAFETY GROUP
9	UNDER FLOOR HEATING-COOLING
11	HE KIT BELOW ODU
11	HEATING-DHW 3-WAY VALVE
12	KIT SHUT-OFF VALVES
12	THERMOSTATIC MIXING VALVE
13	DHW TANK HHP 1-COIL WITH T PROBE AND ANODE
13	BUFFER TANK 8 ATTACKS WITH T PROBE
15	EXPANSION VESSEL - HEATING
18	GENERIC BOILER



- This schematic is for example only and does not replace design by a qualified technician;
- The final schematic must be prepared respecting all the laws, norms and decrees in force, in order to facilitate a correct installation in compliance with the rule of the art;
- For the proper functioning of all system components, follow the instructions in the design, installation and user manuals provided by the manufacturer;
- This outline may be amended by the Ariston Group at any time without prior notice.

SCHEME		
Hydraulic		
DATE	REV.	PAGE
16.9.2023.		1 / 3

SCHEME NAME
EN_012_PCM4.PL.M_HCD_CD1_BUF.4_1D

