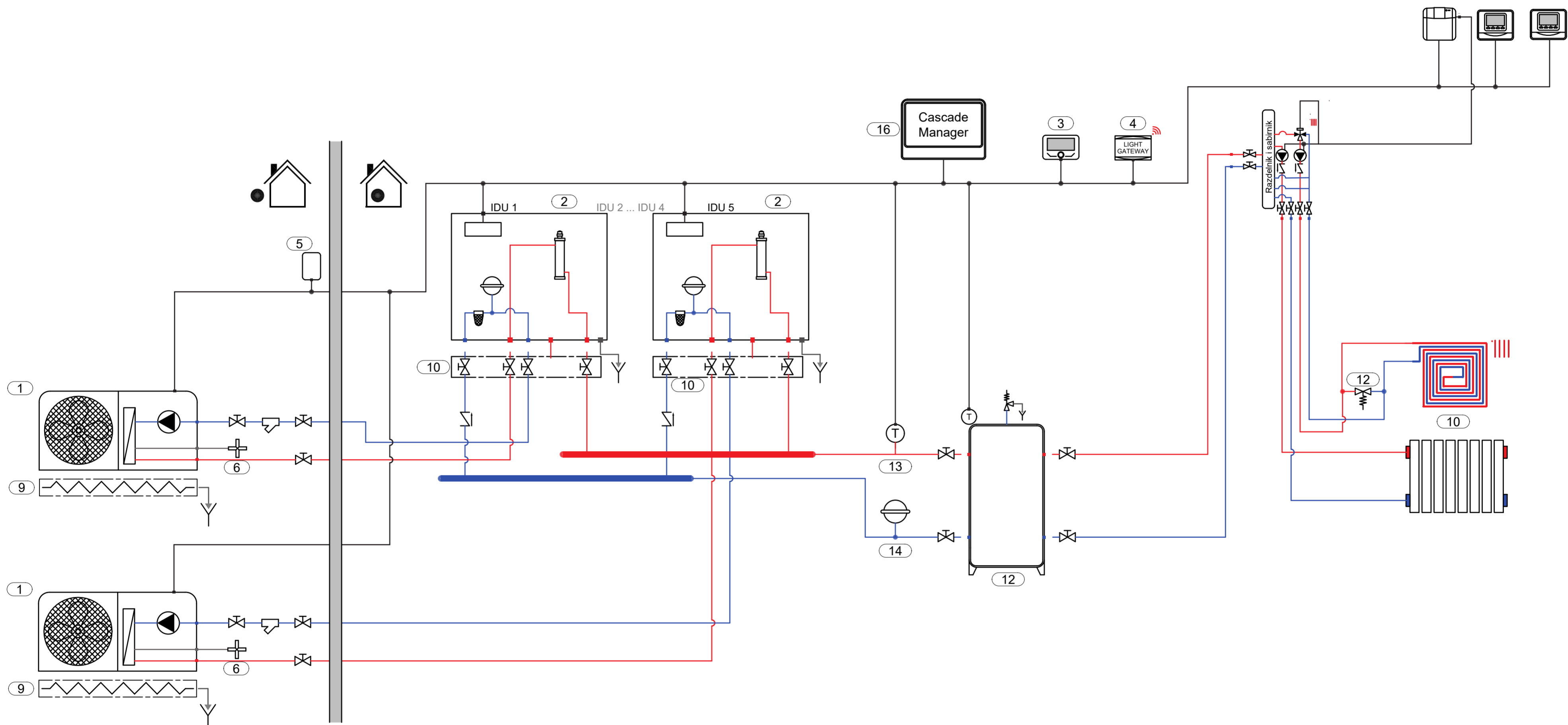


Zone manager ima 6 senzora polaza i povrata  
 Kako postoje 2 kruga 4 senzora se koristi  
 CUBE TERMOSTATI ZA SVAKI KRUG  
 vezuju se na zone manager i adresiraju krug jedan i dva  
 Jedan mešni ventil se vezuju na ZONE MANAGER na krugu 2



(\*) To be opened in case of DHW enabled for the related HHP

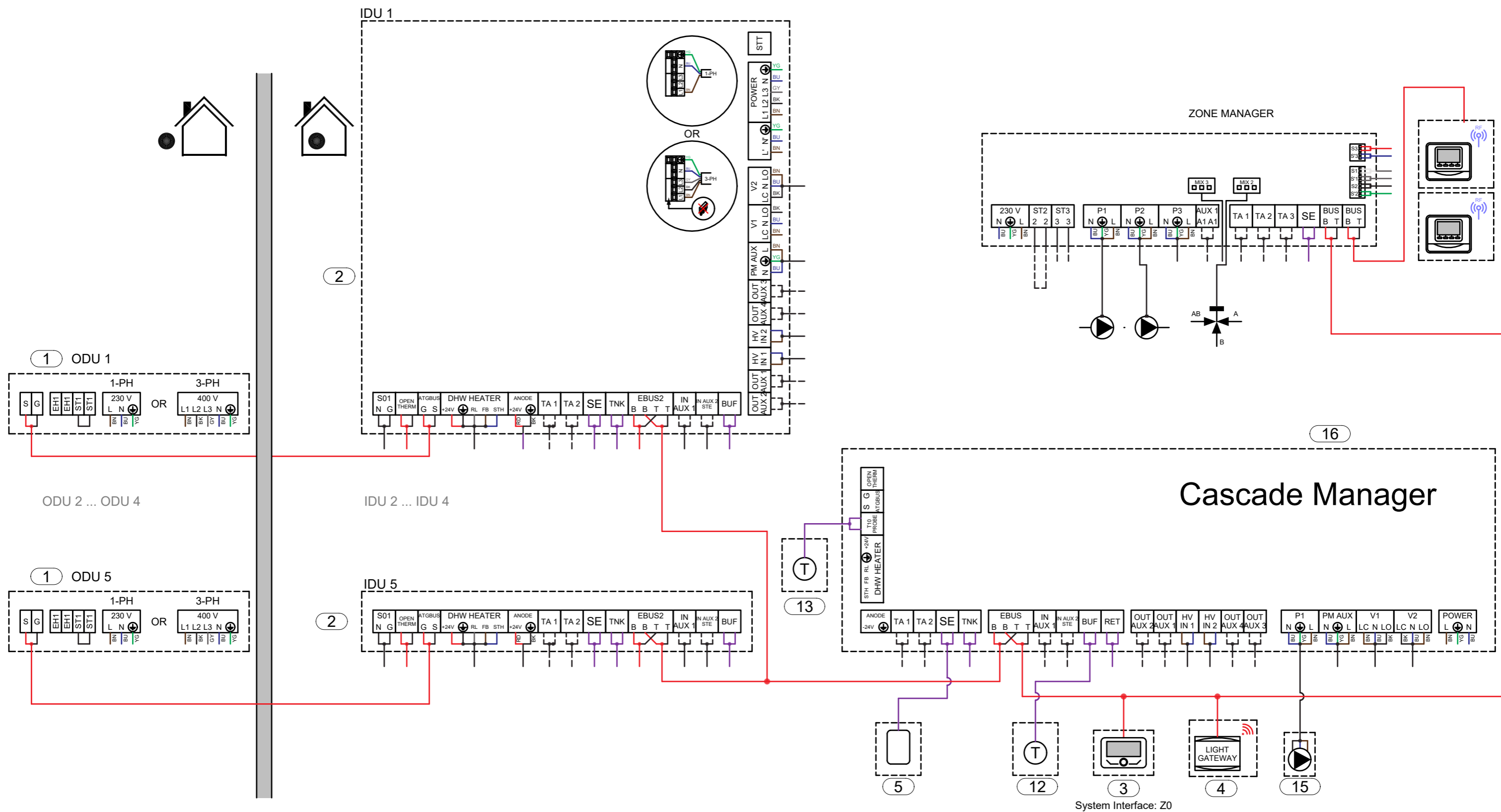
- This schematic is for example only and does not replace design by a qualified technician;
- The final schematic must be prepared respecting all the laws, norms and decrees in force, in order to facilitate a correct installation in compliance with the rule of the art;
- For the proper functioning of all system components, follow the instructions in the design, installation and user manuals provided by the manufacturer;
- This outline may be amended by the Ariston Group at any time without prior notice.

- This schematic is for example only and does not replace design by a qualified technician;  
 - The final schematic must be prepared respecting all the laws, norms and decrees in force, in order to facilitate a correct installation in compliance with the rule of the art;  
 - For the proper functioning of all system components, follow the instructions in the design, installation and user manuals provided by the manufacturer;  
 - This outline may be amended by the Ariston Group at any time without prior notice.

SCHEME  
 Hydraulic  
 DATE  
 1.9.2023.

SCHEME NAME  
 EN\_019-5xPCM4.PL.M\_HCD-CD1\_BUF.4\_1D

PAGE  
 4 / 4



- This schematic is for example only and does not replace design by a qualified technician;
- The final schematic must be prepared respecting all the laws, norms and decrees in force, in order to facilitate a correct installation in compliance with the rule of the art;
- For the proper functioning of all system components, follow the instructions in the design, installation and user manuals provided by the manufacturer;
- This outline may be amended by the Ariston Group at any time without prior notice.

SCHEME		
Electrical		
DATE	REV.	PAGE
1.9.2023.		2 / 4

SCHEME NAME  
EN\_019-5xPCM4.PL.M\_HCD-CD1\_BUF.4\_1D